

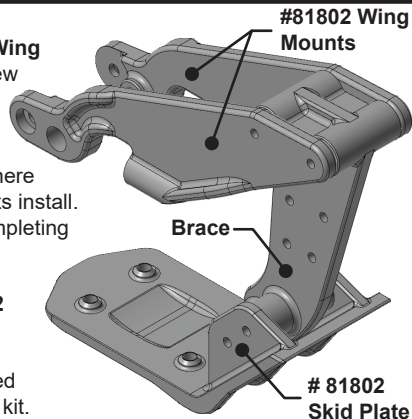
#72162 - HD Wheelie Bar for ARRMA 6S Vehicles (works with *RPM* #81802 HD Wing Mounts exclusively)

What's Included: 1 - Left Wheelie Bar Mount, 1 - Right Wheelie Bar Mount, 1 - Brace, 2 - Wheels, 2 - 7mm Wheel Bushings, 5 - M3 x 20mm buttonhead screws, 2 - M5 x 35mm buttonhead screws, 2 - Aluminum Washers and 5 - 3mm Lock Nuts.

Step #1

If you purchased *RPM* #81802 HD Wing Mounts at the same time as your new #72162 HD Wheelie Bar, simply install the included **Brace** from this kit *in place of* the **Brace** included in the #81802 kit. Proceed to Step #2 here after completing the HD Wing Mounts install. Do not install the wing until after completing these instructions.

If you already have the *RPM* #81802 HD Wing Mounts installed on your vehicle, remove the #81802 **Brace** and replace it with the included HD Wheelie Bar **Brace** found in this kit.



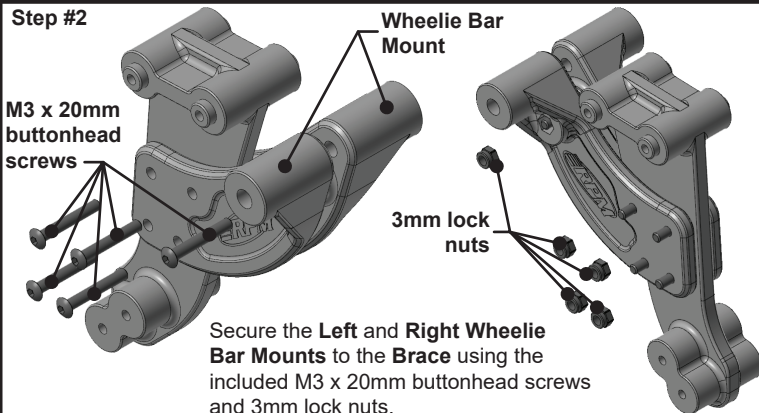
Step #2

M3 x 20mm buttonhead screws

Wheelie Bar Mount

3mm lock nuts

Secure the **Left and Right Wheelie Bar Mounts** to the **Brace** using the included M3 x 20mm buttonhead screws and 3mm lock nuts.



Step #3 (repeat for both sides)

Aluminum Washer

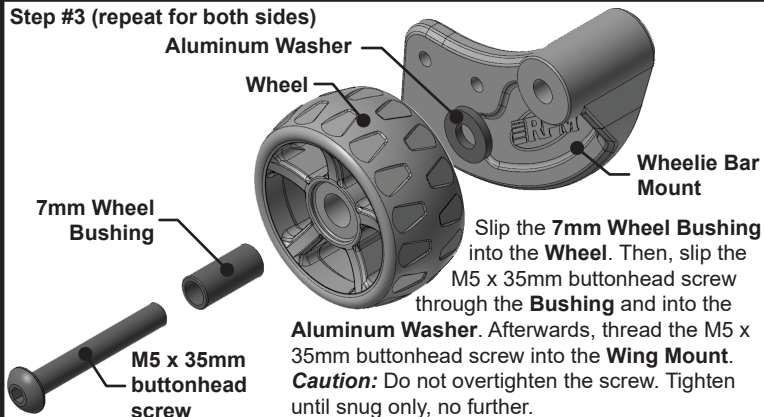
Wheel

Wheelie Bar Mount

7mm Wheel Bushing

M5 x 35mm buttonhead screw

Slip the **7mm Wheel Bushing** into the **Wheel**. Then, slip the M5 x 35mm buttonhead screw through the **Bushing** and into the **Aluminum Washer**. Afterwards, thread the M5 x 35mm buttonhead screw into the **Wing Mount**. **Caution:** Do not overtighten the screw. Tighten until snug only, no further.



Final Notes

If you haven't yet, reinstall your wing using stock screws.

RPM HD Wheelie Bars can run stock ARRMA wheels.

To do so, stock ARRMA #330362 Rocker Posts and 2 - M4 x 10mm buttonhead screws (ARRMA #721410) are required. These parts are stock components of the ARRMA #320366 Wheelie Bar Set.

