



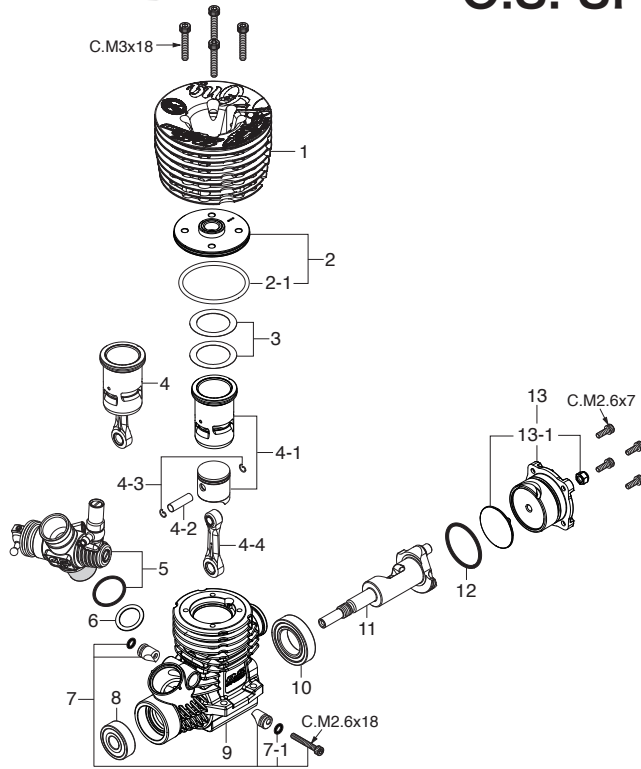
O.S. SPEED B21 ONGARO EDITION

(1DL00)

TYPE 22E(B) (2BP81000)

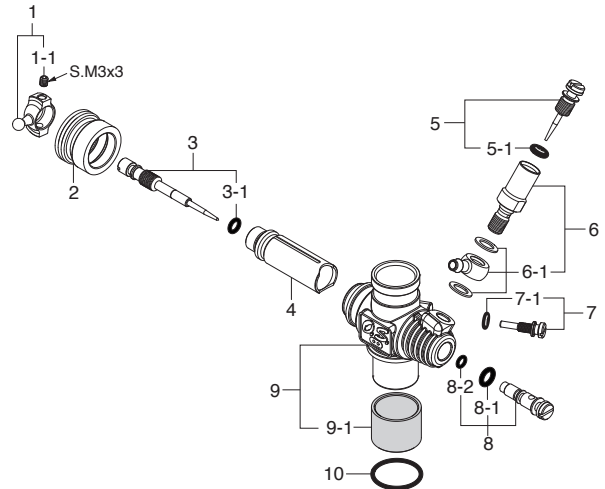
O.S. SPEED B21 ONGARO EDITION Combo Set (1DL01)

TB02 EFRA2089(T-2090SC) & MB01-75(M2000SC)



CAP SCREW SETS (10pcs./set)

Code No.	Size	Pcs. used in an engine
79871020	M2.6x7	Cover Plate Retaining Screw (4pcs.)
79871055	M2.6x18	Carburetor Retainer Retaining Screw (1pc.)
79871180	M3x18	Cylinder Head Retaining Screw (4pcs.)



*Type of screw

C...Cap Screw B...Binding Screw M...Oval Fillister-Head Screw
F...Flat Head Screw T...Tapping Screw N...Round Head Screw S...Set Screw

No.	Code No.	Description
1	2DL04000	Outer Head OSSPEED B21 ONGARO
2	2DL04100	Inner Head OSSPEED B21 ONGARO
2-1	2DA04180	Inner Head "O" Ring (BLACK) (S-32)
3	2A004160	Head Gasket (0.1mm, 0.15mm) R2101
4	2DA03010	Built-up Parts Set OSSPEED B2104
4-1	2DA03000	Cylinder & Piston Assembly OSSPEED B2104
4-2	22016000	Piston Pin 21XZ-R
4-3	2AP17000	O.S. SPEED Piston Pin Retainer 2 (6pcs.)
4-4	22425003	Connecting Rod (w/piston pin retainers 3pcs.) OSSP B2102,21XZ-B SP3
5	2BP81000	Carburetor Complete Type 22E(B) W/Out Reducer
6	23818190	Carburetor Sealing Washer 20A,20B,50SXH
7	23981740	Carburetor Retainer Assembly 21E,21H,21J
7-1	24881824	"O" Ring (2pcs.) (7B,20G)
8	23731020	Ball Bearing (Front) 21XZ-B
9	2DA01000	Crankcase OSSPEED B2104
10	23730050	Ceramic Bearing (Rear) OSSPEED 21V SPEC
11	2DL02000	Crankshaft OSSPEED B21 ONGARO
12	23107100	Cover Gasket (S-22) 21XZ,30VG,35AX
13	2DA07000	Cover Plate Assembly OSSPEED B2104
13-1	2DA07010	Thrust Plate (w/ nylon nut M3 BLACK) OSSPEED B2104
	71641300	T Series Plug P3
	71535058	Carburetor Reducer ϕ 5.8 (Black) w/ "O" Ring (2pcs.)
	22615000	"O" Ring (1pc.)
	71535063	Carburetor Reducer ϕ 6.3 (Black) w/ "O" Ring (2pcs.)
	22615000	"O" Ring (1pc.)
	22884250	Dust Cap Set (ϕ 3, ϕ 16, ϕ 18 1pc. each)
		Exhaust Seal Ring

COMBO SET

Code No.	Description
72106192	TB02 EFRA2089 (T-2090SC) Complete Set
72106190	TB02 EFRA2089 (T-2090SC) Tuned Silencer Assembly
72106042	Joint Spring (3pcs.)
	Exhaust Seal Ring
72106440	MB01-75 (M2000SC) Exhaust Header Pipe Assembly
72101272	Exhaust Header Pipe Spring (2pcs.)
	Exhaust Seal Ring

No.	Code No.	Description
1	2BN81430	Ball Link No.6
1-1	26381501	Retaining Screw
2	2BN81520	Dust Cover 22D 21E,21F,21J
3	23818340	Metering Needle Assembly 21C,21J
3-1	27881820	"O" Ring (2pcs.) (S-3)
4	22848210	Slide Valve 21J
5	23618197	Needle Assembly 21C,21E,21F,20E,21J
5-1	46066319	"O" Ring (L) (2pcs.) P-3
6	22082940	Needle Holder Assembly (21M) 21XZ-R
6-1	22082950	Fuel Inlet (No.15)
7	22848160	Throttle Stop Screw 21J
7-1	27881820	"O" Ring (2pcs.) (S-3)
8	23781600	Mixture Control Valve Assembly 20K,21J
8-1	46066319	"O" Ring (L) (2pcs.) P-3
8-2	22781800	"O" Ring (S) (2pcs.)10D,10F,1H-3H,20E
9	2BP81100	Carburetor Body (w/Thermo Insulator) 22E(B)
9-1	2AN81101	Thermo Insulator 21J3
10	29015019	Carburetor Rubber Gasket 20E,60F,60MC,70D

O.S. SPEED GENUINE PARTS & ACCESSORIES

Code No.	Description
22826140	Exhaust Seal Ring (2pcs.)
22826145	Exhaust Seal Ring (10pcs.)