

CAP SCREW SETS (10pcs./set)

Code No.	Size	Pcs. used in an engine
79871020	M2.6x7	Cover Plate Retaining Screw (4pcs.)
79871055	M2.6x18	Carburetor Retainer Retaining Screw (1pc.)
79871180	M3x18	Cylinder Head Retaining Screw (4pcs.)

No.	Code No.	Description
1	2CY04000	Outer Head 21XR-B Ver.3
2	2CY04100	Inner Head 21XR-B Ver.3
3	22014160	Head Gasket Set (0.2mm) 21XZ-R
4	2CY03010	Built-up Parts Set 21XR-B Ver.3
4-1	2CY03000	Cylinder & Piston Assembly 21XR-B Ver.3
4-2	22016000	Piston Pin 21XZ-R
4-3	2AP17000	O.S.SPEED Piston Pin Retainer 2 (6pcs.)
4-4	23755024	Connecting Rod w/piston pin retainers (3pcs.) R2102
5	2AW81000	Carburetor Complete (Type 21J3-I)
6	23981740	Carburetor Retainer Assembly 21E,21H,21J
6-1	24881824	"O" Ring (2pcs.) (7B,20G)
7	23731020	Crankshaft Ball Bearing (Front) 21XZ-B
8	2AW01000	Crankcase 21XR-B Ver.2
9	23730020	Crankshaft Ball Bearing (Rear) 21V-SPEC,28XZ,30VG
10	2CY02000	Crankshaft 21XR-B Ver.3
11	23107100	Cover Gasket (S-22) 21XZ,30VG,35AX
12	2AW07000	Cover Plate 21XR-B Ver.2
	71641300	T Series Plug P3
	71534660	Carburetor Reducer \varnothing 6 (Orange) w/ "O" Ring (2pcs.)
	22615000	"O" Ring (1pc.) 2A-3A,20C,20D
	71533272	Carburetor Reducer \varnothing 7 (Yellow) w/ "O" Ring (2pcs.)
	22615000	"O" Ring (1pc.) 2A-3A,20C,20D
		Exhaust Seal Ring 21VZ,30VG

BUGGY COMBO SET

Code No.	Description
72106192	TB02 EFRA2089 (T-2090SC) Complete Set
72106190	TB02 EFRA2089 (T-2090SC) Tuned Silencer Assembly
72106042	Joint Spring (3pcs.)
	Exhaust Seal Ring
72106440	MB01-75 (M2000SC) Exhaust Header Pipe Assembly
72101272	Exhaust Header Pipe Spring (2pcs.)
	Exhaust Seal Ring

MAX-21XR-B Ver.III (1CY00)

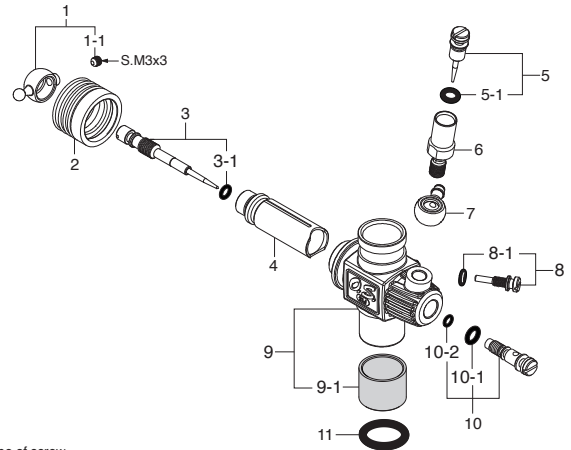
TYPE 21J3-I (2AW81000)

MAX-21XR-B Ver.III BUGGY Combo Set (1CY01)

W / TB02 EFRA2089 COMPLETE SET
TB02 EFRA2089(T-2090SC) & MB01-75

MAX-21XR-B Ver.III GT Combo Set (1CY02)

TB01 EFRA2042(T-2060SC WN) & MB01-70



* Type of screw

C...Cap Screw B...Binding Screw M...Oval Filler-Head Screw
F...Flat Head Screw T...Tapping Screw N...Round Head Screw S...Set Screw

No.	Code No.	Description
1	23781400	Ball Link No.3
1-1	26381501	Retaining Screw
2	23981520	Dust Cover (21,30VG) 21E,21F,21J
3	23818340	Metering Needle Assembly 21C,21J
3-1	27881820	"O" Ring (2pcs.) (S-3)
4	22848210	Slide Valve 21J
5	23618197	Needle Assembly 21C,21E,21F,20E,21J
5-1	46066319	"O" Ring (2pcs.) P-3
6	22082940	Needle Holder Assembly (21M) 21XZ-R
7	22082960	Fuel Inlet (No.16)
8	22848160	Throttle Stop Screw (21J)
8-1	27881820	"O" Ring (2pcs.) (S-3)
9	2AW81100	Carburetor Body (w/Thermo Insulator) 21J3
9-1	2AN81101	Thermo Insulator 21J3
10	23781600	Mixture Control Valve Assembly 20K,21J
10-1	46066319	"O" Ring (L) (2pcs.) P-3
10-2	22781800	"O" Ring (S) (2pcs.) 10D,10F,1H-3H,20E
11	29015019	Carburetor Rubber Gasket 20E,60F,60MC,70D

GT COMBO SET

Code No.	Description
72106130	TB01 EFRA2042 (T-2060SC WN) Tuned Silencer Assembly
72106042	Joint Spring (3pcs.)
	Exhaust Seal Ring
72106880	MB01-70 (M2003SC) Exhaust Header Pipe Assembly
72101272	Exhaust Header Pipe Spring (2pcs.)
	Exhaust Seal Ring

O.S. SPEED GENUINE PARTS & ACCESSORIES

Code No.	Description
22826140	Exhaust Seal Ring (2pcs.)
22826145	Exhaust Seal Ring (10pcs.)