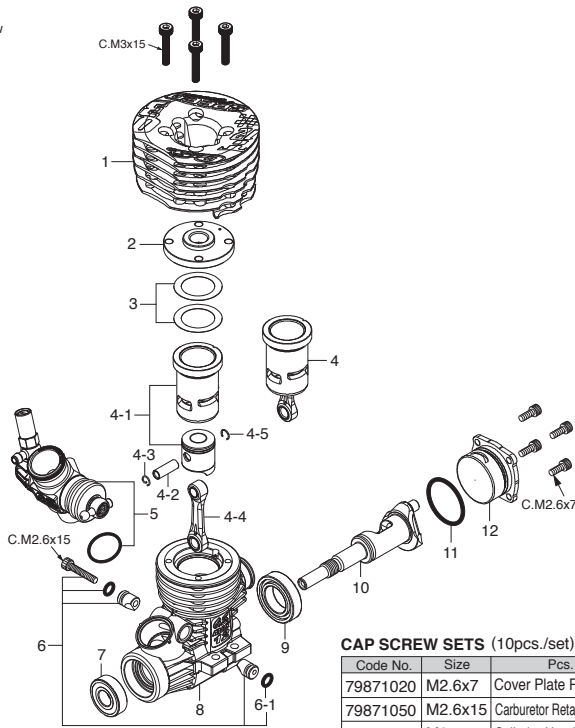


## ■ O.S.SPEED T1203 ENGINE EXPLODED VIEW

\* Type of screw  
C...Cap Screw



### CAP SCREW SETS (10pcs./set)

Code No.	Size	Pcs. used in an engine
79871020	M2.6x7	Cover Plate Retaining Screw (4pcs.)
79871050	M2.6x15	Carburetor Retainer Retaining Screw (1pc.)
79871150	M3x15	Cylinder Head Retaining Screw (4pcs.)

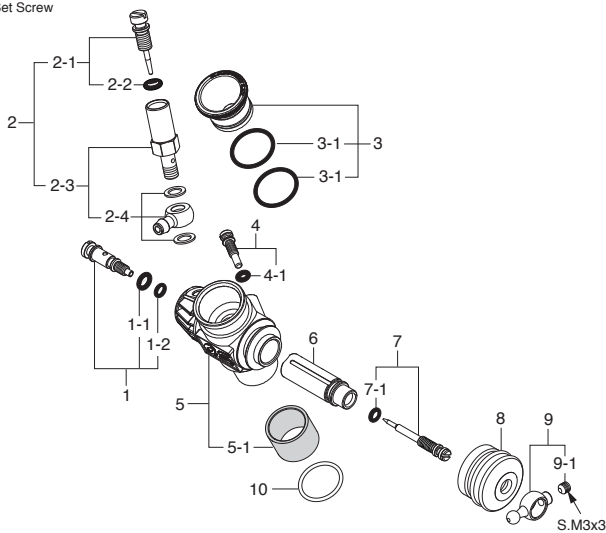
## ■ ENGINE PARTS LIST

No.	Code No.	Description
* 1	2BS04000	Outer Head
2	2AP04100	Inner Head
3	2A404160	Head Gasket Set (0.1mm, 0.15mm)
* 4	2BS03010	Built-Up Parts Set
4-1	2BS03000	Cylinder & Piston Assembly
4-2	21656000	Piston Pin
4-3	2AP17000	Piston Pin Retainer 2 (6pcs.)
4-4	2A405001	Connecting Rod (w/piston pin retainers 2 3pcs.)
4-5	23817000	Piston Pin Retainer (2pcs.)
* 5	2BS81000	Carburetor Complete (Type 12F5(B))
6	21538170	Carburetor Retainer Assembly
6-1	24881824	"O" Ring (2pcs.)
7	21630500	Ball Bearing (F)
* 8	2BS01000	Crankcase
9	21931100	Ceramic Bearing (R)
10	2AP02000	Crankshaft
11	21921800	"O" Ring (1pc.)
* 12	2BS07000	Cover Plate
	71642060	Glow Plug RP6
	21427200	Exhaust Seal Ring (2pcs.)
	22884254	Dust Cap Set 12-30 (3mmx2,16mmx2,18mmx1)

Items marked \* are available for only limited time.  
(One year after discontinuing the production)

## ■ CARBURETOR EXPLODED VIEW

\* Type of screw  
S...Set Screw



## ■ CARBURETOR PARTS LIST

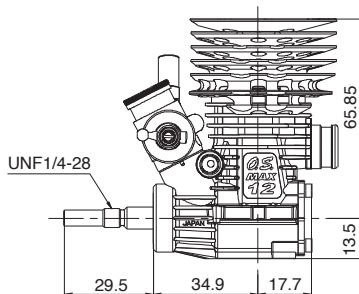
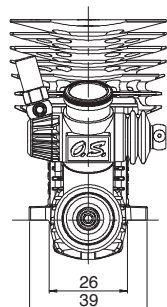
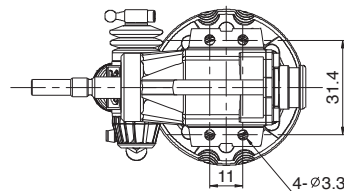
No.	Code No.	Description
1	21682600	Mixture Control Valve Assembly
1-1	27881820	"O" Ring (L) (2pcs.)
1-2	22781800	"O" Ring (S) (2pcs.)
2	2AP11000	Needle Valve Assembly
2-1	21538900	Needle
2-2	27881820	"O" Ring (2pcs.)
2-3	21682940	Needle Holder
2-4	2AP81950	No.21 Universal Nipple Assembly
3	71533455	Carburetor Reducer (5.5mm Red) AL2
3-1	22615000	"O" Ring (1pc.)
4	21982620	Throttle Stop Screw
4-1	22781800	"O" Ring (S) (2pcs.)
* 5	2BS81100	Carburetor Body (w/Thermo Insulator)
5-1	21982900	Thermo Insulator
6	2A481200	Slide Valve
7	21682510	Metering Needle Assembly
7-1	22781800	"O" Ring (S) (2pcs.)
8	21982520	Dust Cover
9	23818430	Ball Link No.5
9-1	26381501	Set Screw
10	22615000	Carburetor Rubber Gasket

Items marked \* are available for only limited time.  
(One year after discontinuing the production)

## ■ THREE VIEW DRAWING Dimensions (mm)

### SPECIFICATIONS

■ Displacement	2.10 cc / 0.128 cu.in.
■ Bore	13.67 mm / 0.538 in.
■ Stroke	14.3 mm / 0.563 in.
■ Output	1.75 ps / 1.73 hp / 35,000 r.p.m.
■ Practical R.P.M.	5,000-45,000 r.p.m.
■ Weight	230 g / 8.11 oz. (Engine)



## O.S. ENGINES MFG.CO.LTD.

6-15 3-Chome Imagawa Higashiumiyoshi-ku  
Osaka 546-0003, Japan TEL. (06)6702-0225  
http://www.os-engines.co.jp FAX. (06)6704-2722