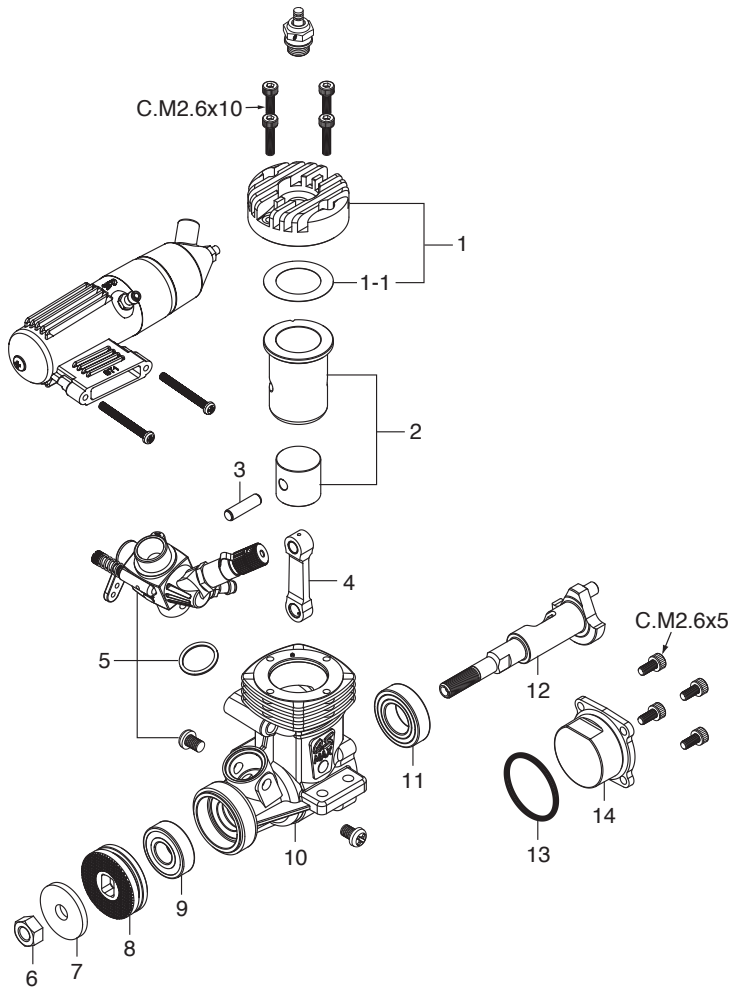


MAX-CZ11-A ENGINE EXPLODED VIEW & PARTS LIST

*Type of screw

C...Cap Screw



No.	Code No.	Description
1	2BR04000	Cylinder Head
1-1	2BR04160	Head Gasket (0.1mm)
2	2BR03000	Cylinder & Piston Assembly
3	21106003	Piston Pin
4	21205040	Connecting Rod
5	2BR81000	Carburetor Complete (Type 12H)
6	20810007	Propeller Nut (M5)
7	21109005	Propeller Washer
8	2BR08000	Drive Hub
9	22631020	Crankshaft Ball Bearing (F)
10	2BR01000	Crankcase
11	21230020	Crankshaft Ball Bearing (R)
12	2BR02000	Crankshaft
13	21921800	Cover Gasket
14	2BR07000	Cover Plate
	71605300	Glow Plug No.6 (A3)
	21225000	871 Silencer Assembly
	22325300	Assembly Screw
	22681957	Pressure Nipple (No.7)
	21225400	Silencer Retaining Screw (M2.6x25 2pcs.)

The specifications are subject to alteration for improvement without notice.

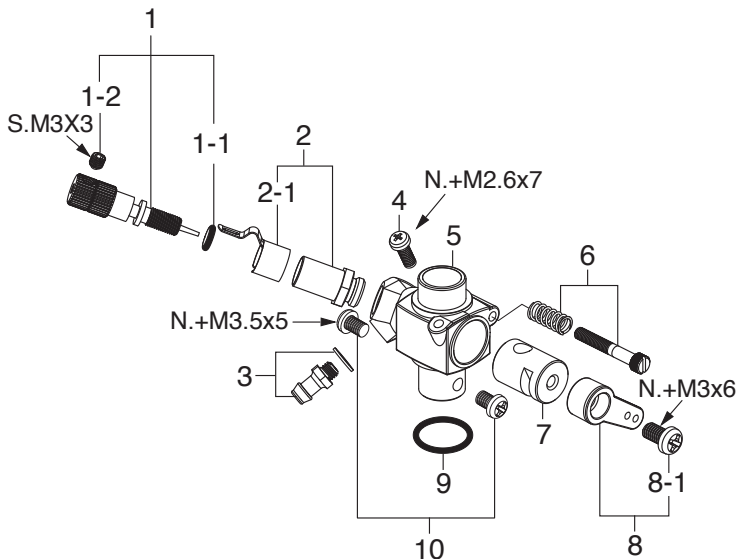
CAP SCREW SETS (10pcs./sets)

Code No.	Size	Pcs. used in an engine
79871010	M2.6x5	Cover Plate Retaining Screw (4pcs.)
79871030	M2.6x10	Cylinder Head Retaining Screw (4pcs.)

CARBURETOR EXPLODED VIEW & PARTS LIST

*Type of screw

N...Round Head Screw S...Set Screw



No.	Code No.	Description
1	25781970	Needle Assembly
1-1	24981837	"O" Ring (2pcs.)
1-2	26381501	Set Screw
2	27381940	Needle-valve Holder Assembly
2-1	26711305	Ratchet Spring
3	22681953	Fuel Inlet (No.1)
4	22581300	Roter Guide Screw
5	2BR81100	Carburetor Body
6	22381600	Air Bleed Screw
7	2BR81200	Carburetor Rotor
8	22081408	Throttle Lever Assembly (No.5)
8-1	22081313	Throttle Lever Retaining Screw
9	21015001	Carburetor Rubber Gasket
10	23081706	Carburetor Retaining Screw

The specifications are subject to alteration for improvement without notice.