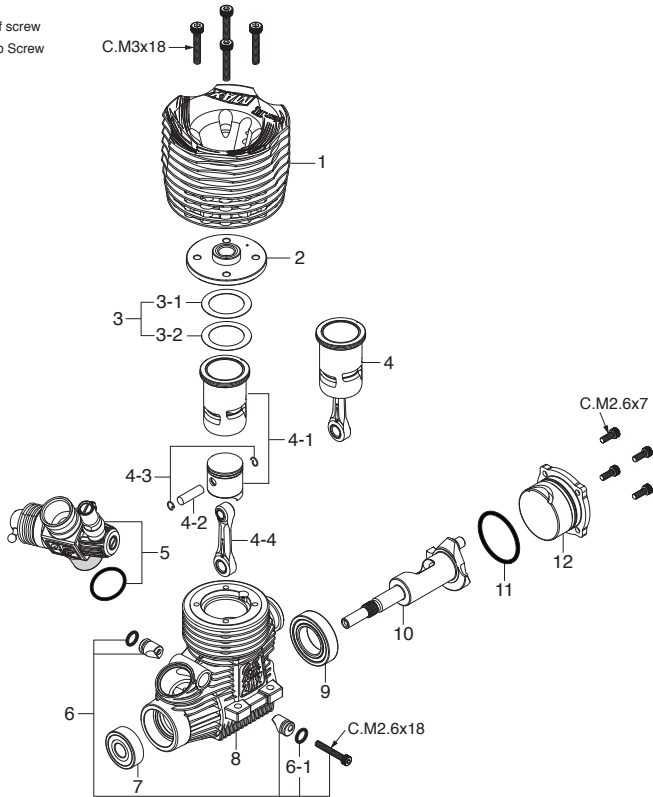


MAX-21XZ-B Ver.II ENGINE EXPLODED VIEW

* Type of screw
C...Cap Screw



ENGINE PARTS LIST

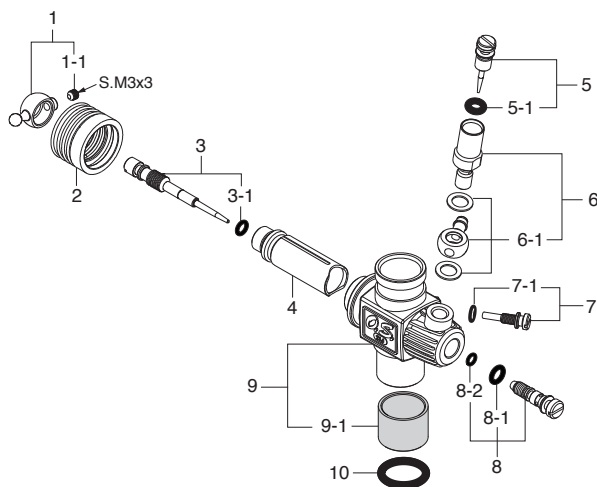
No.	Code No.	Description
1	22414040	Outer Head
2	22424104	Inner Head
3	22014162	Head Gasket Set
3-1	22014160	Head Gasket (0.2mm)
3-2	22014170	Head Gasket (0.1mm)
4	22423110	Built-up Parts Set
4-1	22423100	Cylinder & Piston Assembly
4-2	22016000	Piston Pin
4-3	21817010	O.S. SPEED Piston Pin Retainer 4mm (6pcs.)
4-4	22425003	Connecting Rod (w/piston pin retainers 3pcs.)
5	2AW81001	Carburetor Complete (Type 21J3)
6	23981740	Carburetor Retainer Assembly
6-1	24881824	"O" Ring (2pcs.)
7	23731020	Crankshaft Ball Bearing (Front)
8	22411030	Crankcase
9	23730020	Crankshaft Ball Bearing (Rear)
10	22412010	Crankshaft
11	23107100	Cover Gasket
12	22417100	Cover Plate
	71641300	Glow Plug P3 (Turbo)
	71533272	Carburetor Reducer 7mm (Yellow)
	22615000	"O" Ring (1pc.)
	22826140	Exhaust Seal Ring (2pcs.)
	22884254	O.S. SPEED Dust Cap Set For 12-30 Class 3mm (2pcs.)/16mm (2pcs.)/18mm (1pc)

CAP SCREW SETS (10pcs./set)

Code No.	Size	Pcs. used in an engine
79871020	M2.6x7	Cover Plate Retaining Screw (4pcs.)
79871055	M2.6x18	Carburetor Retainer Retaining Screw (1pc.)
79871180	M3x18	Cylinder Head Retaining Screw (4pcs.)

CARBURETOR EXPLODED VIEW

* Type of screw
S...Set Screw



CARBURETOR PARTS LIST

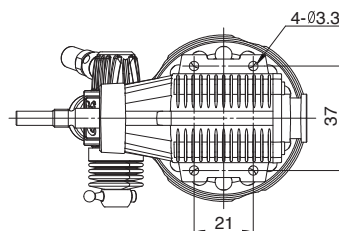
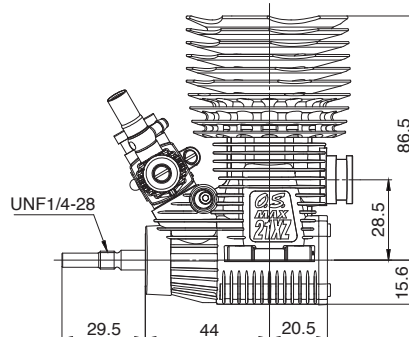
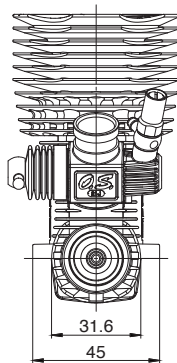
No.	Code No.	Description
1	23781400	Ball Link No.3
1-1	26381501	Retaining Screw
2	23981520	Dust Cover
3	23818340	Metering Needle Assembly
3-1	27881820	"O" Ring (2pcs.)
4	22848210	Slide Valve
5	23618197	Needle Assembly
5-1	46066319	"O" Ring
6	22082940	Needle Holder Assembly
6-1	22082950	Fuel Inlet (No.15)
7	22848160	Throttle Stop Screw
7-1	27881820	"O" Ring
8	23781600	Mixture Control Valve Assembly
8-1	46066319	"O" Ring (L) (2pcs.)
8-2	22781800	"O" Ring (S) (2pcs.)
9	2AW81100	Carburetor Body (w/Thermo Insulator)
9-1	2AN81101	Thermo Insulator
10	29015019	Carburetor Rubber Gasket

THREE VIEW DRAWING

Dimensions (mm)

SPECIFICATIONS

Displacement	3.49 cc / 0.213 cu.in.
Bore	16.27 mm / 0.641 in.
Stroke	16.8 mm / 0.661 in.
Output	2.6 ps / 2.56 hp / 34,000 r.p.m.
Practical R.P.M.	3,000-41,500 r.p.m.
Weight	362 g / 12.77 oz. (Engine)



O.S. ENGINES MFG.CO.LTD.

6-15 3-Chome Imagawa Higashiumiyoshi-ku
Osaka 546-0003, Japan TEL. (06)6702-0225
http://www.os-engines.co.jp FAX. (06)6704-2722