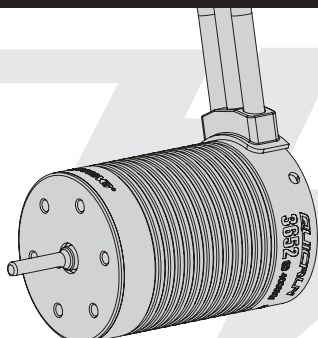




Thank you for purchasing this HOBBYWING product! The power of brushless power system is powerful. Any improper use may cause personal injury and damage to the product and related devices. We strongly recommend reading through this user manual before use and strictly abide by the specified operating procedures. We shall not be liable for any liability arising from the use of this product, including but not limited to reimbursement for incidental or indirect losses. Meanwhile, we do not assume any responsibility caused by unauthorized modification of the product. We have the right to change the product design, appearance, performance and use requirements without notice.



**QUICRUN**  
**USER MANUAL**  
Sensorless Brushless Motor  
QUICRUN 3652/3660 G2

20230404

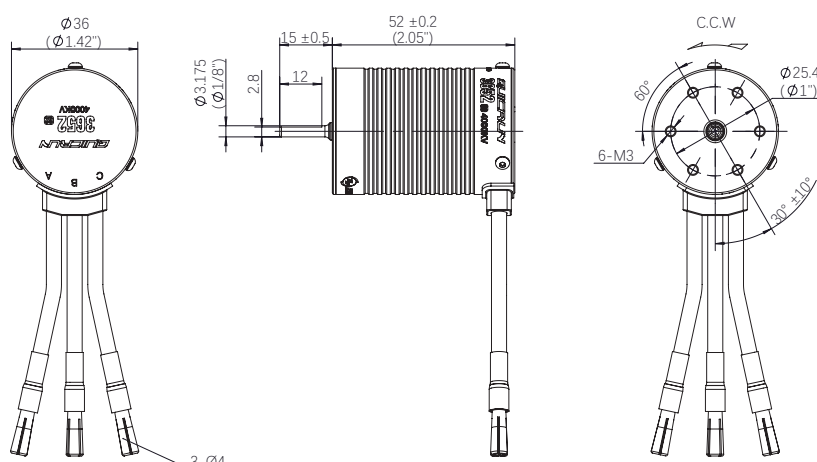
## 01 Warnings

- Please carefully check power devices and manual of car frame to ensure the power pairing is reasonable. Avoid wrong pairing to overload and damage the motor.
- Always wire up all the parts of the equipment carefully. If any of the connections come loose as a result of vibration, your model RC may lose control.
- Never apply full throttle if the pinion is not installed. Due to the extremely high RPMs without load, the motor may get damaged.
- Never allow the motor case to get 100 degrees Celsius (212 degrees Fahrenheit) because the magnets maybe demagnetized by high temperature.

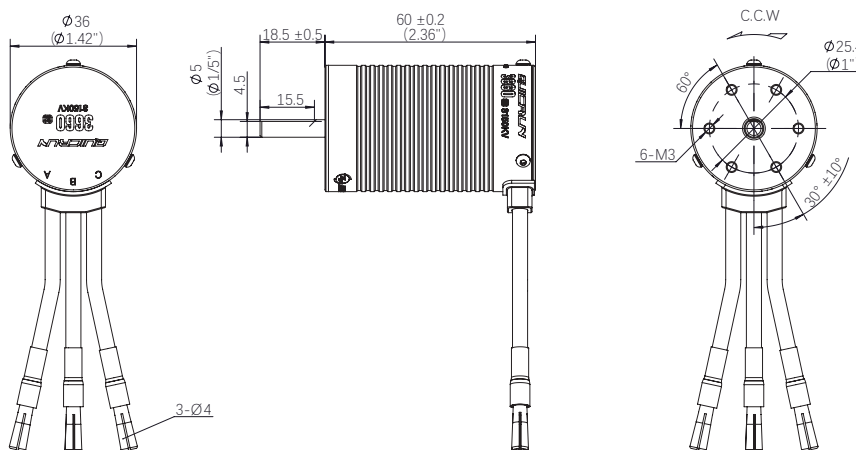
## 02 Specifications

Model	KV	LiPos	No-load Current	Diameter/Length	Shaft Diameter/Length	Bearing size (mm)	Poles	Weight	Applications
QUICRUN 3652SL 3250KV G2	3250KV	2-3S	4.0A	φ=36mm(1.42") L=52mm(2.05")	φ=3.175mm(0.13") L=15mm(0.59")	Front: D13"D5*T4 Rear: D13"D5*T4	4	223g	1/10 On-road, Buggy, Truck (Light load)
QUICRUN 3652SL 4000KV G2	4000KV	2-3S	5.3A					224g	
QUICRUN 3652SL 5400KV G2	5400KV	2S	6.8A					224g	
QUICRUN 3660SL 3150KV G2	3150KV	2-3S	5.4A	φ=36mm(1.42") L=60mm(2.36")	φ=5mm(0.20") L=18.5mm(0.73")	Front: D16"D5*T5 Rear: D13"D5*T4	4	273g	1/10 Truck, Monster truck
QUICRUN 3660SL 3700KV G2	3700KV	2-3S	6.5A					278g	

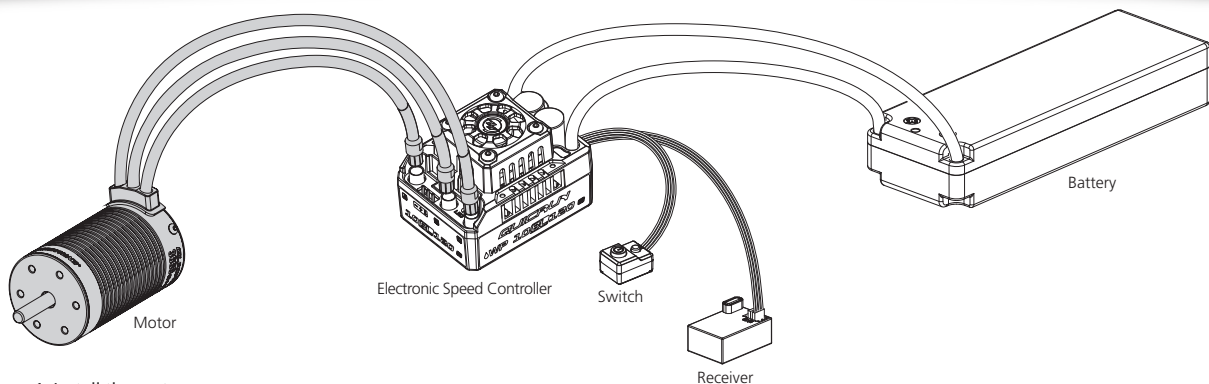
**QUICRUN 3652SL-G2**



**QUICRUN 3660SL-G2**



## 03 Installation & Connection



- 1. Install the motor**  
There are 6 motor mounting holes in M3 specification, and the mounting holes are 5.5mm in depth, before installing the motor on the vehicle, please carefully confirm whether the specification of the screws is appropriate according to the thickness of the motor mounting plate to avoid damage to the motor due to too long screws.
- 2. How to Connect the Motor to an ESC**  
There is no strict wire sequence requirement for the connection between the motor and the esc, the # A/# B/# C three wires of the motor and esc can be connected at will, if the motor rotation in the opposite direction, you can exchange any two wires.
- 3. Inspection**  
Before power on the esc, please check the reliability of the motor installation and the correctness of all connections.

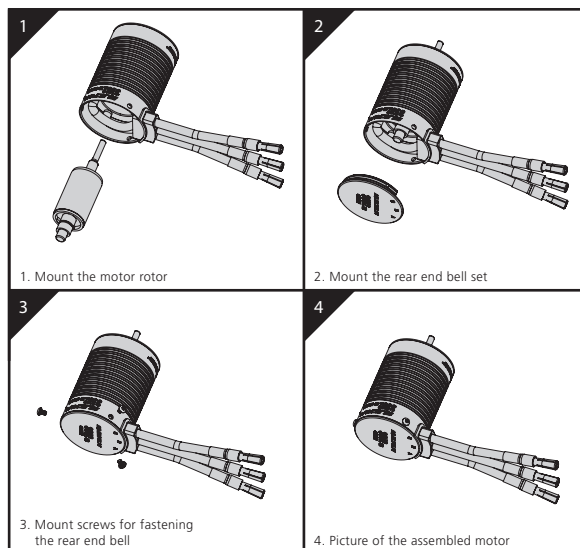
## 04 Gearing

Reasonable selection of gear ratio is very important. Improper gear ratio may bring you great loss. You can select the gear ratio according to the following points!

- 1. The running temperature of the motor**  
The motor temperature should be lower than 100 degrees Celsius (212 degrees Fahrenheit) in operation. Because high temperature may cause the magnets to get demagnetized, the coil to get melt and short circuited, and the ESC to get damaged. A suitable gearing ratio can effectively prevent the motor from overheating.
- 2. The principle of selecting gear ratio**  
To avoid the possible damage to ESC and motor caused by the overheat, please start with a small pinion/a big FDR and check the motor temperature regularly. If the motor and ESC temperature always stay at a low level during the running, you can change a big pinion/a low FDR and also check the motor temperature regularly to ensure that the new FDR is suitable for your vehicle, local weather and track condition. (Note: For the safety of electric devices, please check the ESC and motor temperature regularly.)

## 05 Assembly and Disassembly

In order to make the motor have longer service life and higher efficiency, we suggest to regularly check the bearing and clean the dirt in the motor. The specific time depends on the frequency of using the motor and the site conditions. When installing, please follow the steps in the following assembly drawing; when disassembling, follow the reverse steps.



### Parts List

