

H123D X4 JET

H123D Quick Start Guide

Version 1.1

Disclaimer & Warning

All users must read product operating instructions as well as this liability disclaimer before using any Hubsan product. By using a Hubsan product(s), users are accepting the terms and conditions of Hubsan liability and operational guidelines. This product is not suitable for minors under 14 years of age. While operating a Hubsan product(s), users also accept all liability and responsibility for their own behavior, actions as well as any consequences resulting thereof while using a Hubsan product(s). These products may only be used for purposes that are proper and in accordance with local regulations, terms and any applicable policies/guidelines Hubsan may make available. Users agree to comply with these terms and conditions, along with any and all relevant policies/guidelines set forth by Hubsan.

Instructions

Some product flight functions are restricted in certain areas. Once you use this product, you are deemed to have read carefully the relevant ICAO regulations, local airspace control provisions and the regulations governing UAVs. You assume all liability for any non-compliance with the foregoing, are responsible for the consequences for your actions as well as any indirect and/or direct liability that arises as a result of these limitations.

Flight environment requirements

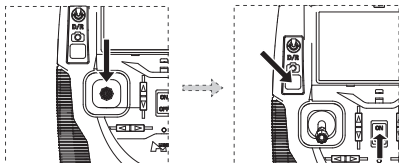
- (1) Select an open environment devoid of high rise buildings and tall obstructions (such as trees and poles). Near buildings and obstacles, flight control signals and GPS signals can be severely weakened; GPS functions such as GPS mode and Return to Home may not function properly.
- (2) Do not fly in bad weather conditions (such as in wind, rain or fog).
- (3) Fly the drone in ambient temperatures of 0-40 °C.
- (4) When flying, please stay away from obstructions, crowds, high voltage lines, trees, water, etc.
- (5) To avoid remote control signal interference, do not fly in complex electromagnetic environments (such as venues with radio stations, power plants and towers).
- (6) The aircraft cannot be used in or near the Arctic circle or Antarctica.
- (7) Do not fly in no fly zones.
- (8) Do not operate the aircraft near high pressure lines, airports or areas with severe magnetic interference.

THE FIRST FLIGHT CONFIGURATION: AIRCRAFT + HT012D TRANSMITTER

STEP 1: BINDING THE AIRCRAFT AND TRANSMITTER

- 1) Pull and hold the throttle to its lowest position.
- 2) Simultaneously hold the Photo key and power on the transmitter. The transmitter's LED will flash red; power on the aircraft. Please do not press or touch any other keys, buttons or sticks while this process is ongoing, or the aircraft might exhibit instability during flight. When the bind is successful, the binding status LED will turn green.

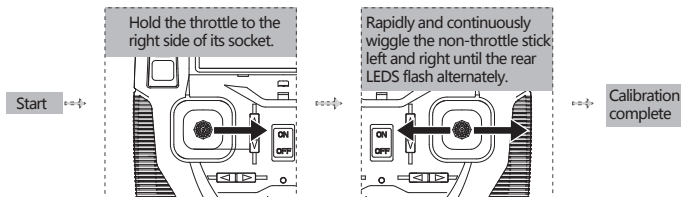
The side figures and above information assume instruction in Mode 2 (American hand)



STEP 2: HORIZONTAL CALIBRATION

Horizontal calibration is required when the aircraft drifts on the horizontal plane during flight. When this happens, land the aircraft and disarm its motors. Follow the below steps to do a horizontal/gyro calibration:

1. Place the aircraft on a completely flat surface and then follow the below calibration procedure. Hold the throttle to the right side of its socket. Rapidly and continuously wiggle the non-throttle stick left and right until the rear red LEDs flash alternately.
2. Calibration is complete when the LED indicators stop flashing. It is recommended that users wait for 15-20 seconds after the calibration is completed before flying again.



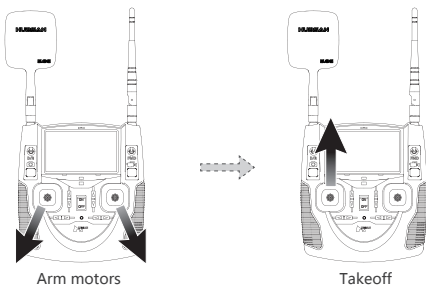


Before performing a Horizontal calibration, please make sure that all motors are completely disarmed and that the aircraft is on a completely flat surface.

STEP 3: TAKING OFF AND LANDING

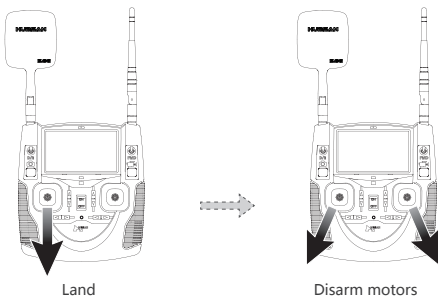
Takeoff

Simultaneously pull the transmitter joysticks diagonally down-out to arm the motors (as shown in the below figure). Pull the throttle upwards to take off.



Landing

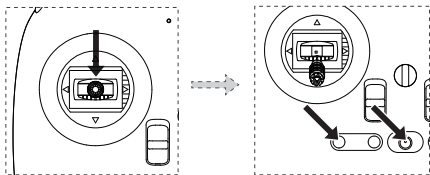
Slowly and gently pull the throttle joystick down until the copter has completed its descent on the ground. Simultaneously pull the transmitter joysticks diagonally down-out to disarm the motors. After all motors have come to a complete stop, release the joysticks.



The second flight configuration: Aircraft + HT011 Transmitter

STEP 1: BINDING THE AIRCRAFT AND TRANSMITTER

- 1) Pull and hold the throttle to its lowest position.
- 2) Simultaneously hold the binding button and power on the transmitter. Power on the aircraft. Please do not press or touch any other keys, buttons or sticks while this process is ongoing, or the aircraft might exhibit instability during flight.

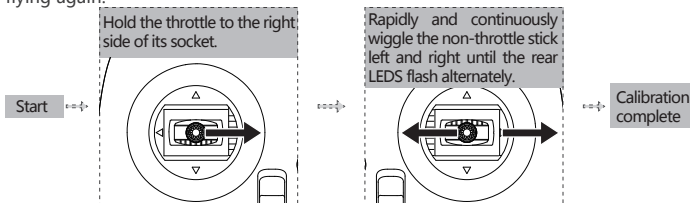


The above figures and information assume instruction in Mode 2 (American hand)

STEP 2: HORIZONTAL CALIBRATION

Horizontal calibration is required when the aircraft drifts on the horizontal plane during flight. When this happens, land the aircraft and disarm its motors. Follow the below steps to do a horizontal/gyro calibration.

1. Place the aircraft on a completely flat surface and then follow the below calibration procedure. Hold the throttle to the right side of its socket. Rapidly and continuously wiggle the non-throttle stick left and right until the rear red LEDS flash alternately.
2. Calibration is complete when the LED indicators stop flashing. It is recommended that users wait for 15-20 seconds after the calibration is completed before flying again.



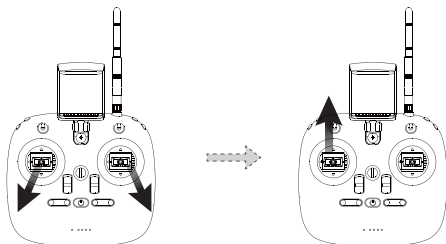


Before performing a Horizontal calibration, please make sure that all motors are completely disarmed and that the aircraft is on a completely flat surface.

STEP 3: TAKING OFF AND LANDING

Takeoff

Simultaneously pull the transmitter joysticks diagonally down-out to arm the motors (as shown in the below figure). Pull the throttle upwards to take off.

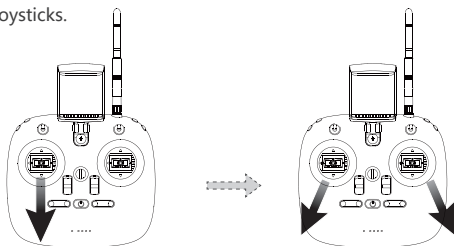


Arm motors

Takeoff

Landing

Slowly and gently pull the throttle joystick down until the copter has completed its descent on the ground. Simultaneously pull the transmitter joysticks diagonally down-out to disarm the motors. After all motors have come to a complete stop, release the joysticks.



Land

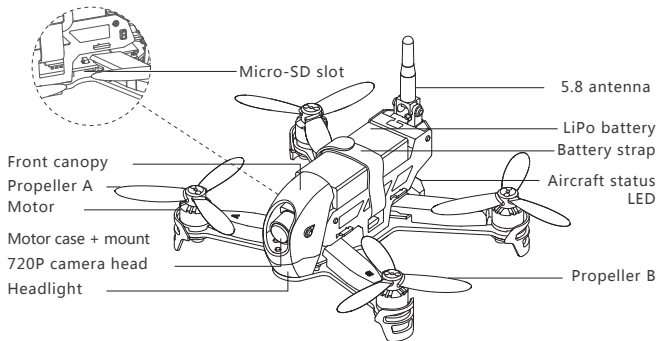
Disarm motors



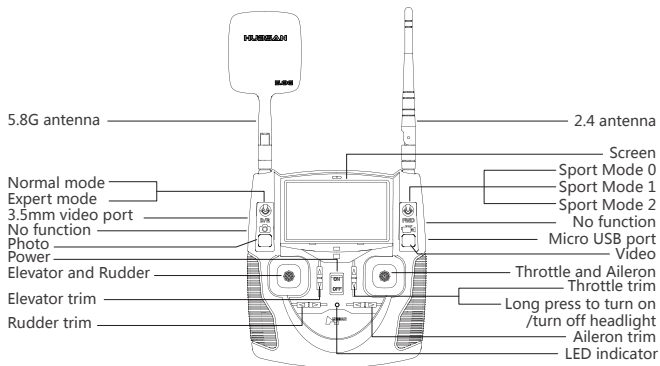
After flying, first power off the aircraft and then the transmitter.

GETTING TO KNOW YOUR H123D

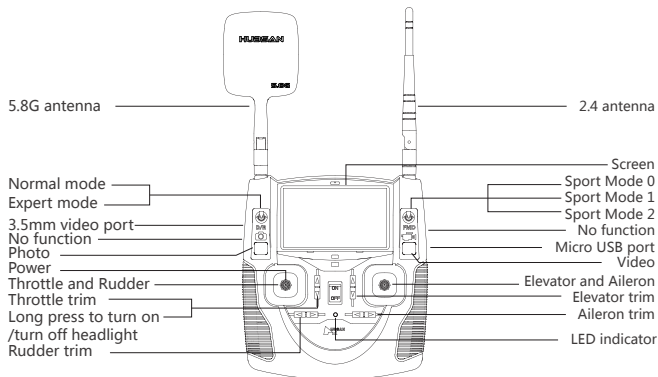
Thank you for purchasing a HUBSAN product. The H123D is an easy to fly aircraft equipped with a variety of flight functions and a full-function remote control.



GETTING TO KNOW YOUR HT012D TRANSMITTER

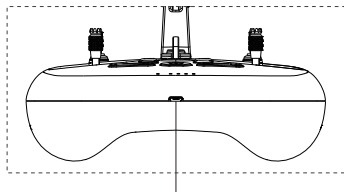
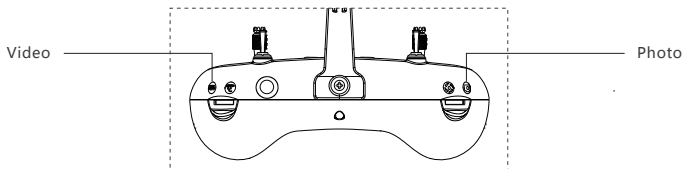


Mode 1 (Japanese hand)

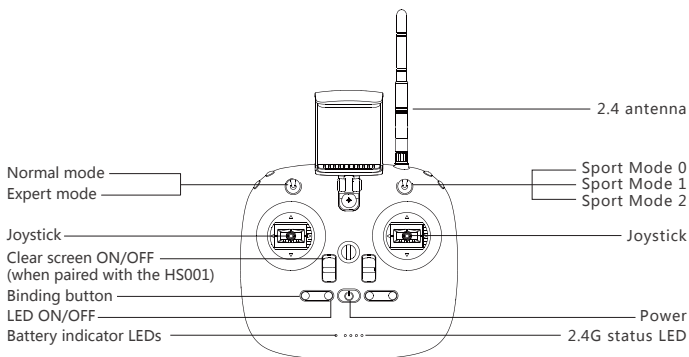


Mode 2 (American hand)

GETTING TO KNOW YOUR HT011 TRANSMITTER



Micro-USB port (cannot be used to charge)

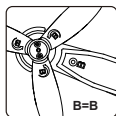
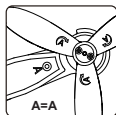
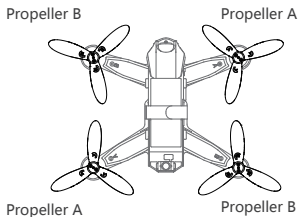


When this transmitter is paired with the H123D, some of the keys and buttons will have no functions.

INSTALLING AND REMOVING PROPELLERS

The aircraft propellers are triple bladed; each is marked with either an A or a B. Please replace damaged propellers with genuine Hubsan stock.

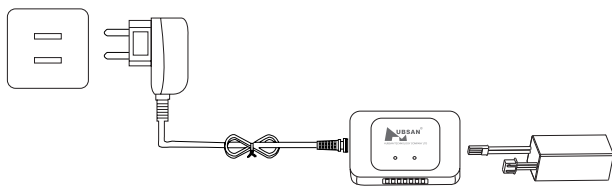
Before installing the propellers for the first time, please check whether the propeller and motor arm read "A" or "B". The two letters should match. Only then use two screws per propeller to tighten and secure each to its respective motor shaft.



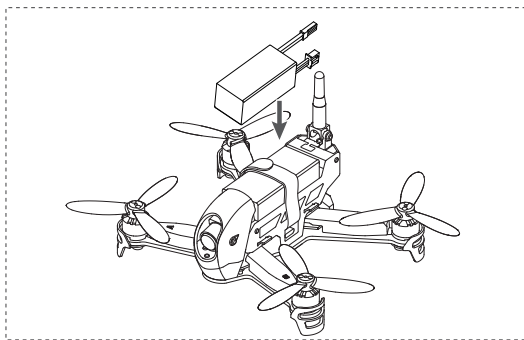
If propellers need to be changed out, please remove the propeller screws first before taking the existing propeller off.

CHARGING AND INSTALLING THE AIRCRAFT BATTERY

The H123D aircraft is paired with a rechargeable 7.6v, 980mAh Li-Po. Be sure to use the provided Hubsan charger for charging. Fully charge the battery before flight. Connect the charger's USB adapter to a PC terminal and then the battery to the charger. The balance charger LEDs are solid red while charging and turn solid green when the battery is fully charged. Please disconnect the battery from the charger immediately after charging is complete. Charging time is approximately 130 min; recommended flight time is around 10 minutes. Be sure to charge the battery before each flight.



Installation: Push the battery into its compartment with its lines facing away from the unit. Connect it to the drone's power line and coil the power line into the compartment. Be careful to avoid entangling the power line with the propellers.



FREQUENTLY ASKED QUESTIONS

1. Aircraft and remote control are not pairing

- (1) Check that the aircraft and remote control are both powered on.
- (2) Turn off both the aircraft and remote control. Rebind the aircraft to the remote control.

2. No video on the screen or user is experiencing strong video feed interference

- (1) Check whether there are strong sources of wireless interference (i.e. WIFI, electricity, radio tower frequencies, etc). If there are any, please change your flight location.
- (2) Rebind the copter to the transmitter, as the 5.8 and 2.4 frequencies might be interfering with each other.
- (3) Browse through the selection of available 5.8GHz frequencies to find a clean channel.

3. Aircraft/video feed is shaking/shaky

- (1) Check if the aircraft propellers are deformed or broken. Please replace them.
- (2) Check that all aircraft body screws are firmly in place.
- (3) Check whether any motor shafts are broken. Motors must be replaced if the shafts are broken.

4. Cannot take videos or pictures

- (1) Check to see that the SD card is installed in the aircraft prior to power on.
- (2) Make sure the SD card is Class 10 or higher, contains 16GB or 32GB of storage and is formatted to FAT32.

LIMITATION OF LIABILITY

Hubsan accepts no liability for damages, injuries or any legal responsibilities incurred directly or indirectly from the use of Hubsan products under the following conditions:

1. Damages, injuries or any legal responsibilities incurred when users are drunk, under the influence of drugs or anesthesia, dizzy, fatigued, nauseous and/or affected by other conditions both physical and mental that could impair sound judgment and/or personal ability.
2. Subjective misjudgment and/or intentional mis-operation of products.
3. Any and all mental damage, trauma, impairment, illness, compensation caused/solicited by accidents involving Hubsan products.
4. Product operation in no-fly zones (i.e. natural reserves).
5. Malfunctions or problems caused by modification, refit, replacement or use with non-Hubsan accessories/parts, failure to follow the guidance of the manual in assembly or operation.
6. Damages, injuries or any legal responsibilities caused by mechanical failures due to natural wear and tear (aircraft flight time clocking in 100 hours or above), corrosion, aging hardware, etc.
7. Continued flight after low voltage protection alarms are triggered.
8. Knowingly flying aircraft under abnormal conditions (such as when water, oil, soil, sand or other unknown material are inside the X4, the aircraft and/or transmitter are incompletely assembled, the main components have obvious faults, obvious defect or missing accessories, etc).
9. Flying in the following situations and/or environments: areas with magnetic interference (such as high voltage lines, power stations, broadcasting towers and mobile base stations), radio interference, government regulated no-fly zones, if the pilot loses sight of the X4, suffers from poor eyesight or is otherwise unsuited for operating Hubsan products.
10. Aircraft use in or exposure to bad weather, such as a rain, wind, snow, hail, lightning, tornadoes and hurricanes.
11. Products are involved in/exposed to collisions, fire, explosions, floods, tsunamis, manmade and/or natural structure collapses, ice, avalanches, debris, landslides, earthquakes, etc.
12. The acquisition, through use of Hubsan products (specifically but not limited to aircraft), of any data, audio, video that results in infringement of law and/or rights.
13. Misuse and/or alteration of batteries, product/aircraft circuits, hardware protections (including protection circuits), RC model and battery chargers.
14. Any malfunction of equipment or accessory, including memory cards, that results in the failure of an image or video to be recorded or to be recorded in a way that is machine readable.
15. Users who engage in reckless, unsafe flying (with or without sufficient training).

16. Noncompliance with precautions, instructions, information and operation guidelines/-methods given through official Hubsan website announcements, product quick start guides, user manuals, etc.

17. Other losses, damages, or injuries that are not within the boundaries of Hubsan responsibility.

RISK OF EXPLOSION IF BATTERY IS REPLACED BY AN INCORRECT TYPE.

DISPOSE OF USED BATTERIES ACCORDING TO THE LOCAL REGULATIONS.

HAZARDOUS MOVING PARTS KEEP FINGERS AND OTHER BODY PARTS AWAY.

Declaration of Conformity

Hereby, SHENZHEN HUBSAN TECHNOLOGY CO., LTD.,

declares this product is in compliance with the essential requirements and other relevant provisions of Directive 2014/53/EU. A copy of the original Declaration of Conformity can be obtained at the following address: 13th Floor, Bldg 1C, SHENZHEN NANSHAN SOFTWARE INDUSTRY BASE, Xuefu Road, Nanshan District, Shenzhen, China

This product bears the selective sorting symbol for waste electrical and electronic equipment (WEEE). This means that this product must be handled pursuant to European Directive 2012/19/EU in order to be recycled or dismantled to minimize its impact on the environment.

For further information, please contact your local or regional authorities. Electronic products not included in the selective sorting process are potentially dangerous for the environment and human health due to the presence of hazardous substances.

FCC INFORMATION

This equipment has been tested and found to comply with the limits for a Class B digital device, pursuant to Part 15 of the FCC Rules. These limits are designed to provide reasonable protection against harmful interference in a residential installation. This equipment generates, uses, and can radiate radio frequency energy and, if not installed and used in accordance with the instructions, may cause harmful interference to radio communications. However, there is no guarantee that interference will not occur in a particular installation. If this equipment does cause harmful interference to radio or television reception, which can be determined by turning the equipment off and on, the user is encouraged to try to correct the interference by one or more of the following measures:

- Reorient or relocate the receiving antenna.
- Increase the separation between the equipment and receiver.

- Connect the equipment into an outlet on a circuit different from that to which the receiver is connected.
- Consult the local dealer or an experienced radio/TV technician for help.

Changes or modifications not expressly approved by the party responsible for compliance could void the user's authority to operate the equipment.

This device complies with Part 15 of the FCC Rules. Operation is subject to the following two conditions: (1) this device may not cause harmful interference, and (2) this device must accept any interference received, including interference that may cause undesired operation.

Electrical and electronic equipment that are supplied with batteries (including internal batteries)

WEEE Directive & Product Disposal

At the end of its serviceable life, this product should not be treated as household or general waste. It should be handed over to the applicable collection point for the recycling of electrical and electronic equipment, or returned to the supplier for disposal.

Internal / Supplied Batteries.

This symbol on the battery indicates that the battery is to be collected separately.

This battery is designed for separate collection at an appropriate collection point.



Notice: Please read the operating instructions carefully before use!



- Never leave units unattended when charging
- Unplug the charging cable immediately after charging
- Propellers may cause injury
- This product is not a toy
- Not suitable for children under 14 years of age

WWW.HUBSAN.COM

Product name: X4 Jet

Vendor: Shenzhen Hubsan Technology Co., Ltd

Address: 13th Floor, Block C, Shenzhen Software Industrial Base,
Xuefu Road, Nanshan District,

Shenzhen, Guangdong Province, China

Telephone: 0769-82776166 (China)



Download the manual