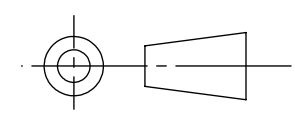
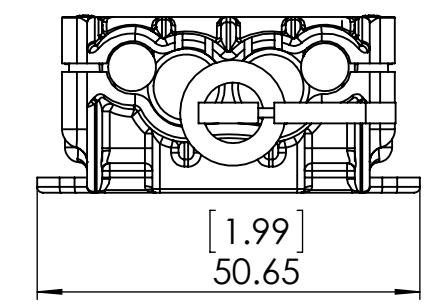
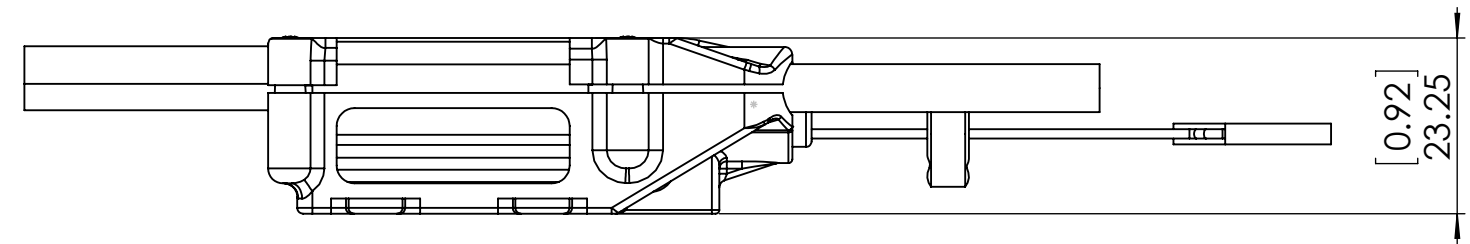
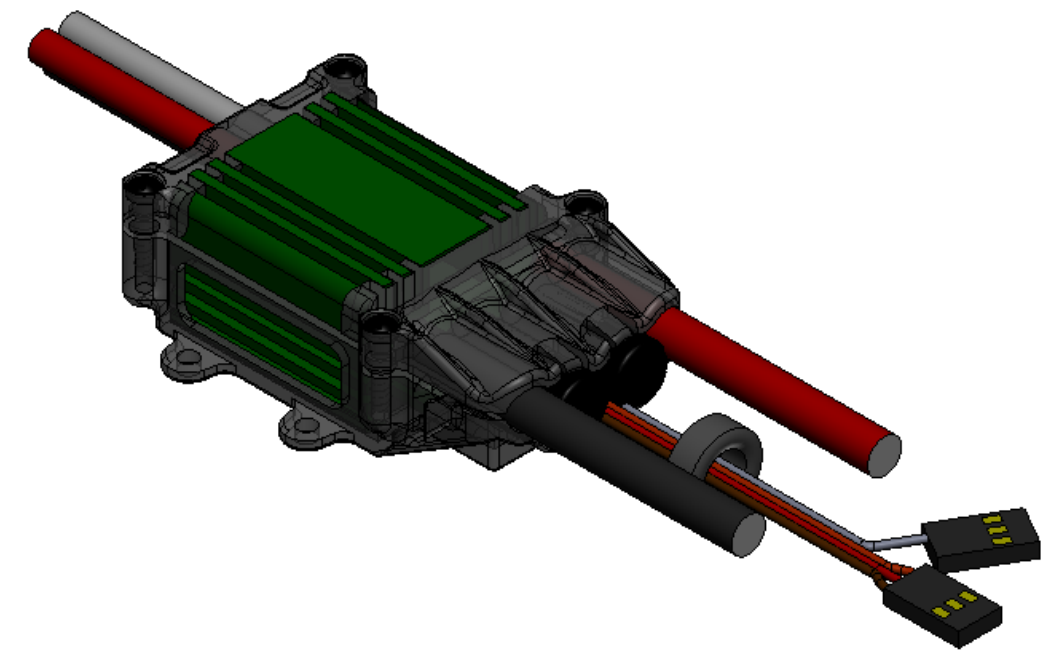
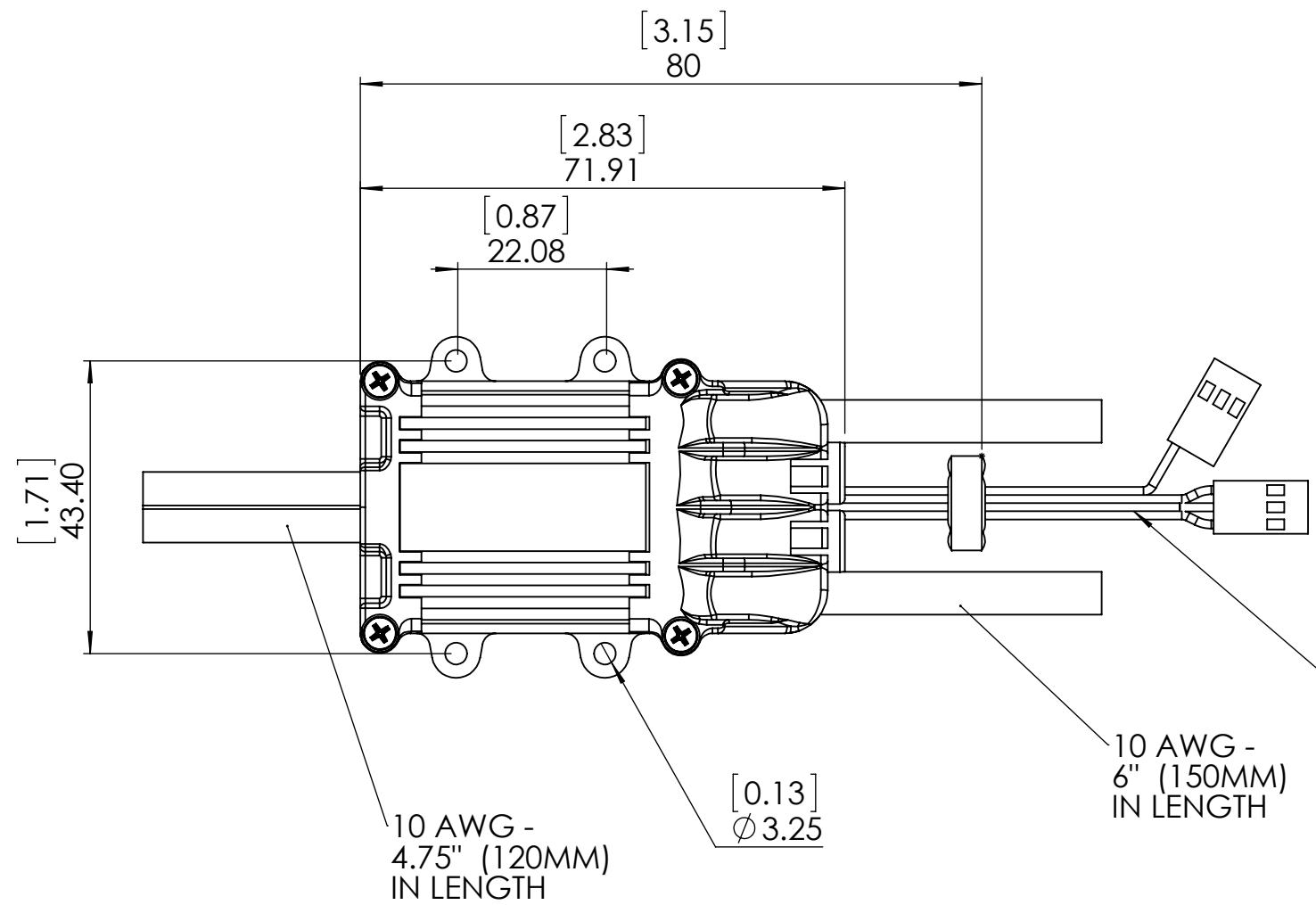


8 7 6 5 4 3 2 1

D  
C  
B  
A

D  
C  
B



PROPRIETARY AND CONFIDENTIAL  
THE INFORMATION CONTAINED IN THIS DRAWING IS THE SOLE PROPERTY OF CASTLE CREATIONS. ANY REPRODUCTION IN PART OR AS A WHOLE WITHOUT THE WRITTEN PERMISSION OF CASTLE CREATIONS IS PROHIBITED.

UNLESS OTHERWISE SPECIFIED: DIMENSIONS ARE IN MM TOLERANCES: (UNLESS NOTED) ANGULAR: MACH±0.5° BEND ±1° ONE PLACE DECIMAL ±0.2 TWO PLACE DECIMAL ±0.08	
DRAWN: JCV	
DATE: 06/15/2011	
MATERIAL	
FINISH	
DO NOT SCALE DRAWING	

*castle creations, inc.*

TITLE:			
SIZE	DWG. NO.	REV	
<b>B</b>	EDGE HV 80	-	
SCALE: 1:2		SHEET 1 OF 1	

8 7 6 5 4 3 2 1