



LED Light Kit Installation Instructions - Chevrolet® Corvette® Stingray

Covers Part #9380

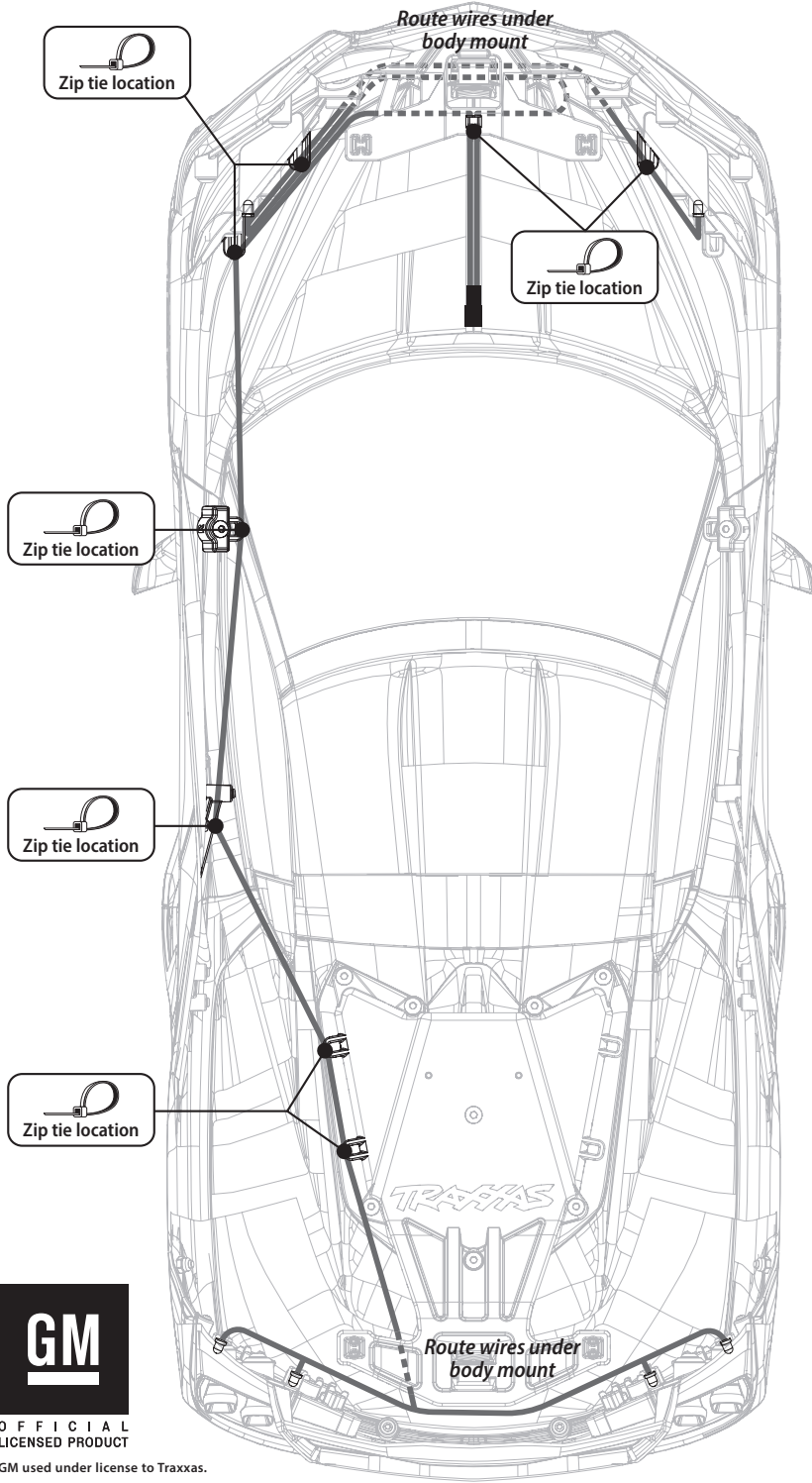
Kit contents:

- Headlights/tail lights wiring harness
- Power wire harness
- Zip ties (9)

Tools required:

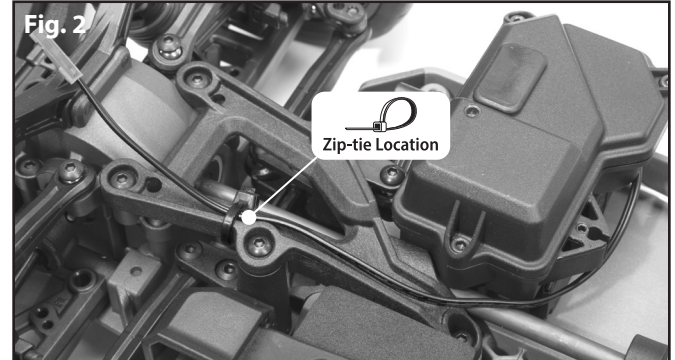
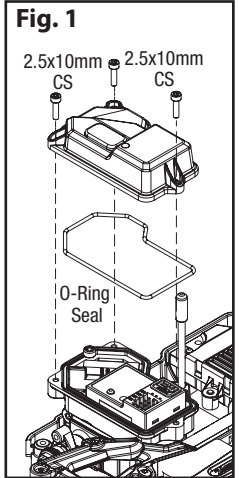
- 2mm hex wrench

Fig. 5
BODY WIRING
(viewed from the underside of the body)



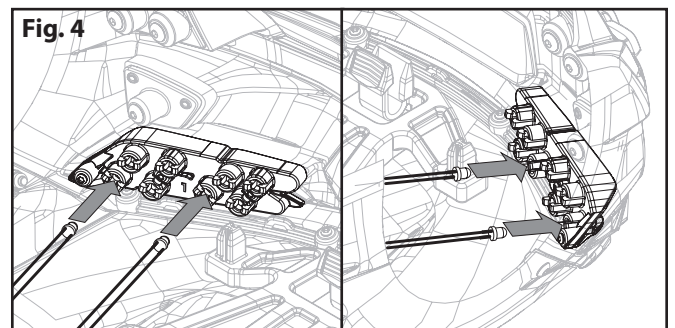
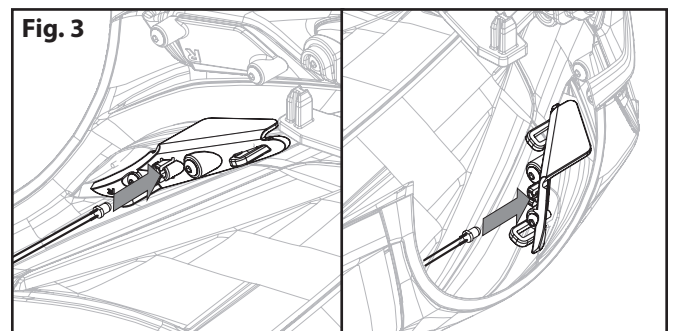
POWER WIRE HARNESS INSTALLATION

1. Remove the receiver box cover by removing the three 2.5x10mm cap screws (Fig. 1).
2. Route the power wire harness into the receiver box and plug it into any open channel on the receiver.
3. Make sure the blue o-ring seal is properly seated in the groove in the receiver box so that the cover will not pinch it or damage it in any way.
4. Reinstall the cover on the receiver box and tighten the three 2.5x10mm cap screws securely. Inspect the cover to make sure that the O-ring seal is not visible.
5. Route the power wire harness around the receiver box and attach it to the chassis brace with a zip tie (Fig. 2).



LIGHT WIRING HARNESS INSTALLATION

1. Snap the LED head lights (clear) into the receptacles on the headlight housings (Fig. 3).
2. Snap the LED tail lights (red) into the tail light housings (Fig. 4).
3. Route the wire harness in the body; use zip ties (8) to secure the wiring to the body in the locations provided (Fig. 5).



OFFICIAL LICENSED PRODUCT
GM used under license to Traxxas.