



Narrow Inner Fenders Installation Instructions

Installation

Note: Retain and reuse all screws.

1. Remove the screws as shown in Fig. A to remove the standard shock towers from the chassis rails (TRX-4 Sport chassis shown).
2. Install the narrow inner fenders onto the chassis rails using the screws removed in step 1 (Fig. B).

Note: Rubber wheel well extensions (part #8081, available separately) can be installed on the narrow inner fenders and customized to fit most vehicle bodies to protect the vehicle electronics and other chassis components from mud, dirt, and debris.

Rear Body Mount Orientation
Reverse the orientation of the rear body mount as shown (arrow facing the rear of the vehicle) if installing the narrow inner fenders on the TRX-4 Sport.

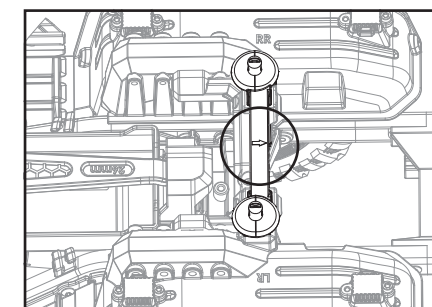
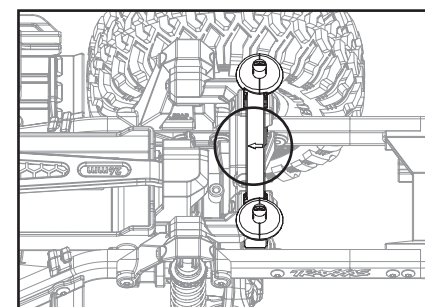


Fig. A

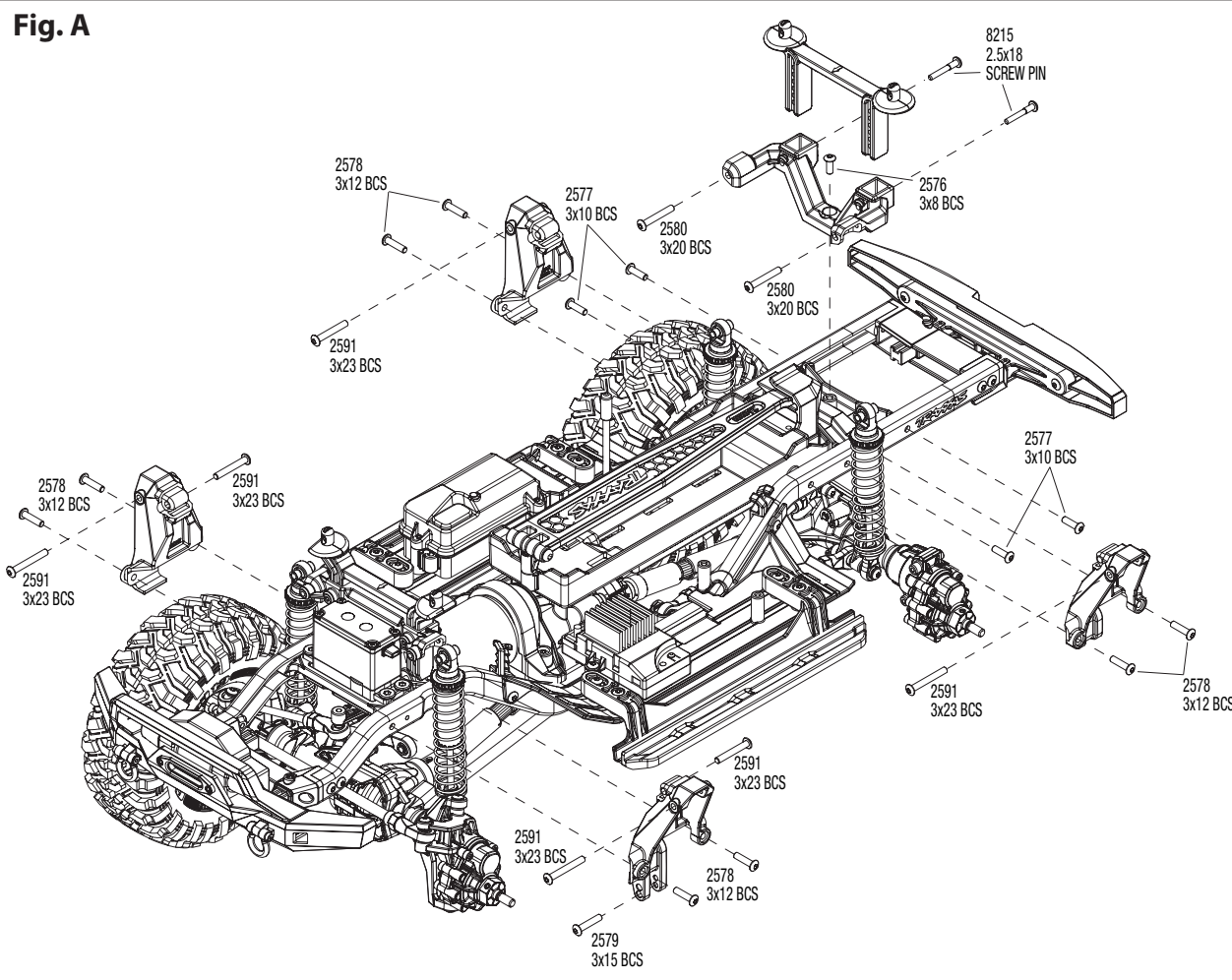


Fig. B

