



Telemetry Expander Installation Instructions

Covers Part #6550

Note: Expander mounts are available for most vehicles to make installation of the Telemetry Expander easier and more secure. Visit Traxxas.com or contact your local hobby dealer to obtain the correct Expander mount for your particular vehicle.

Kit Contents

- Telemetry Expander (1)
- Communication cable (425mm) (1)
- 3x10mm cap screws (2)
- Silicone grease (Traxxas part #1647) (1)
- Zip tie (1)

Note: Remove the wire clamp and the receiver cover on your model to gain access to the receiver.

- A. Install the Expander on a previously installed Expander mount (not included) with the included 3x10mm cap screws (2).
- B. Remove the front cover from the Expander.
- C. Plug the communication cable and desired sensors into the Expander.

Note: Before sealing the covers on the Expander and receiver, make sure all smart sensors for Telemetry expansion have been installed and are operating properly. Ensure that the blue O-ring is properly seated in the groove around the receiver box. Refer to the vehicle Owner's Manual for detailed instructions on maintaining a watertight seal.

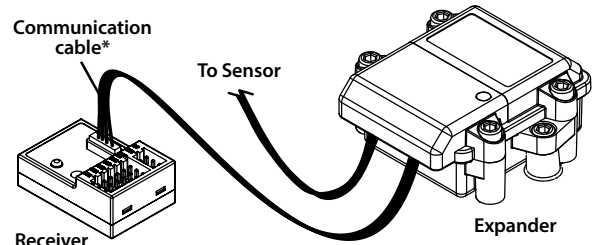
- D. Apply a small bead of silicone grease to the foam on the Expander and the top of the foam insert.
- E. Route the communication cable and the smart sensor cable(s) over and/or between the foam inserts on the Expander.
- F. Replace the Expander cover, and reinstall the 3x10mm cap screws (2).
- G. Power up the system and verify that all sensors have linked, indicated by a solid green LED on the Expander. If the LED is blinking red, there is an error in the system. Visit Traxxas.com/telemetry for complete information and instructions on compatible devices and using the Traxxas Link™ App and the Telemetry Expander to capture and display real-time Telemetry, such as voltage and temperature.

If you have questions or need technical assistance, call Traxxas at

1-888-TRAXXAS

(1-888-872-9927) (U.S. residents only)

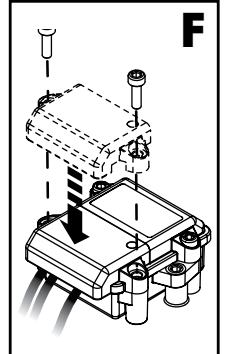
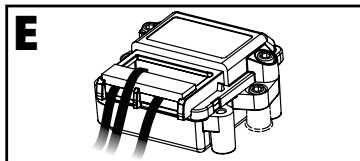
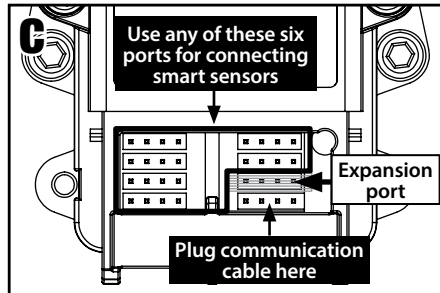
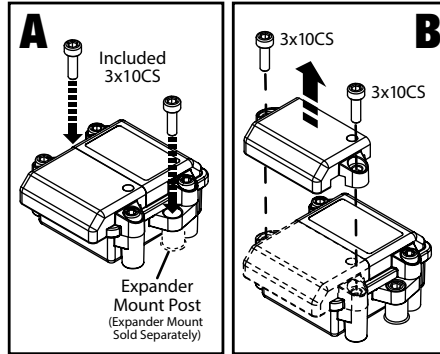
Wiring Diagram



Receiver

Expander

*Use the included zip tie to coil and secure any excess length of the communication cable. Ensure the communication cable is kept away from any moving parts and heated surfaces.



Note: Traxxas models may have some Telemetry-ready parts installed from the factory. Please inspect the model before installation.

Required for Telemetry GPS operation:

- TQi radio system with Traxxas Link™ Wireless Module (part #6511)
- Traxxas Link receiver (part #6533)
- Apple® iOS or Android™ mobile device (visit Traxxas.com for a list of current compatible devices)
- Traxxas Link App (latest version available free from the Apple® App StoreSM or on Google Play™)

TRAXXAS.COM

Traxxas, 6250 Traxxas Way, McKinney, TX 75070, Phone: 972-549-3000, Fax: 972-549-3011, e-mail: support@Traxxas.com

This device complies with FCC Part-15 & IC RSS-210 rules subject to the following conditions: 1) This device may not cause harmful interference, and 2) This device must accept all interference received, including interference that may cause undesired operation. Apple, the Apple logo, iPhone, iPad, iPod touch, and iTunes are trademarks of Apple Inc., registered in the U.S. and other countries. App Store is a service mark of Apple Inc. Android and Google Play are trademarks of Google Inc.



KC1784-R02 160408